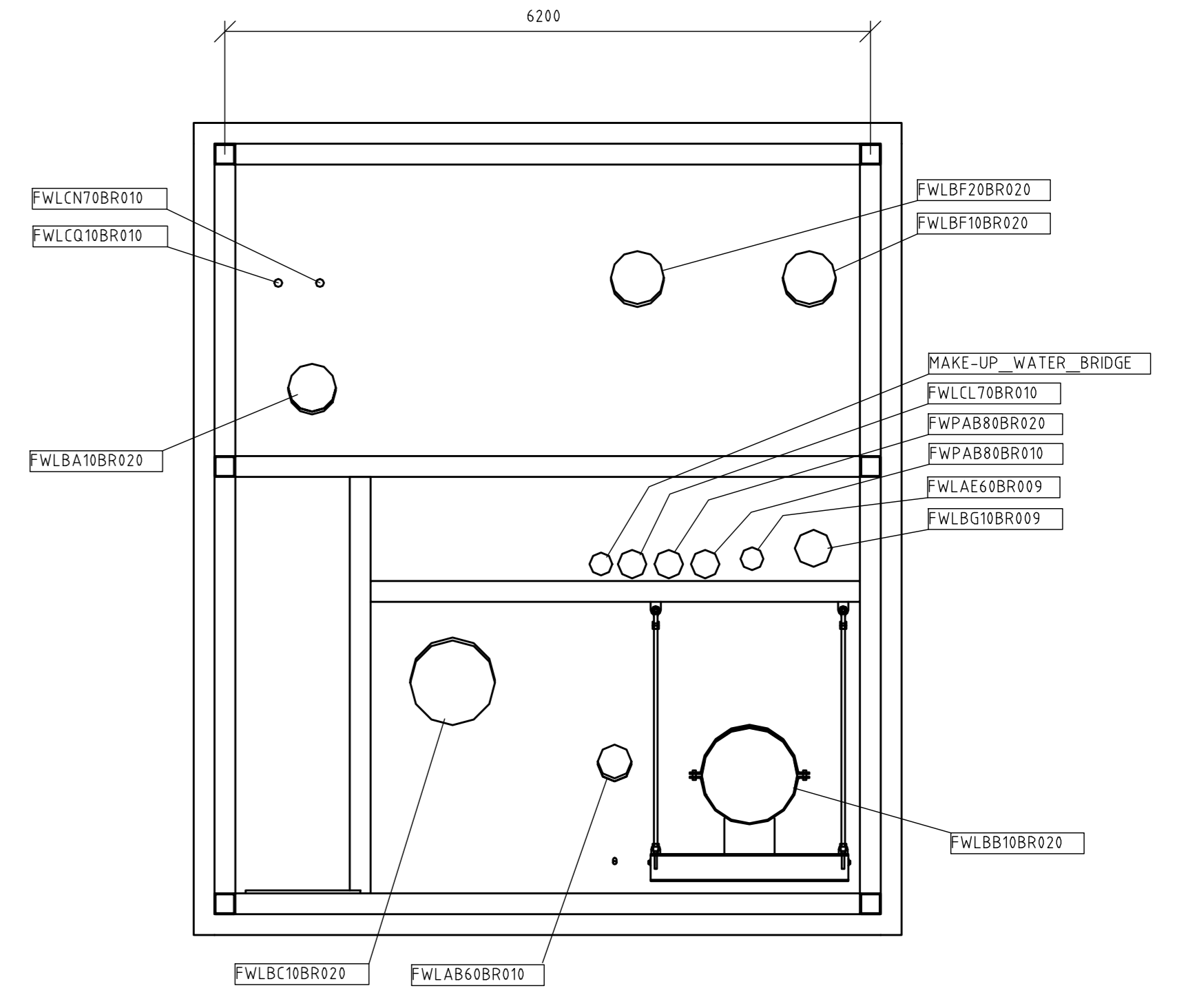
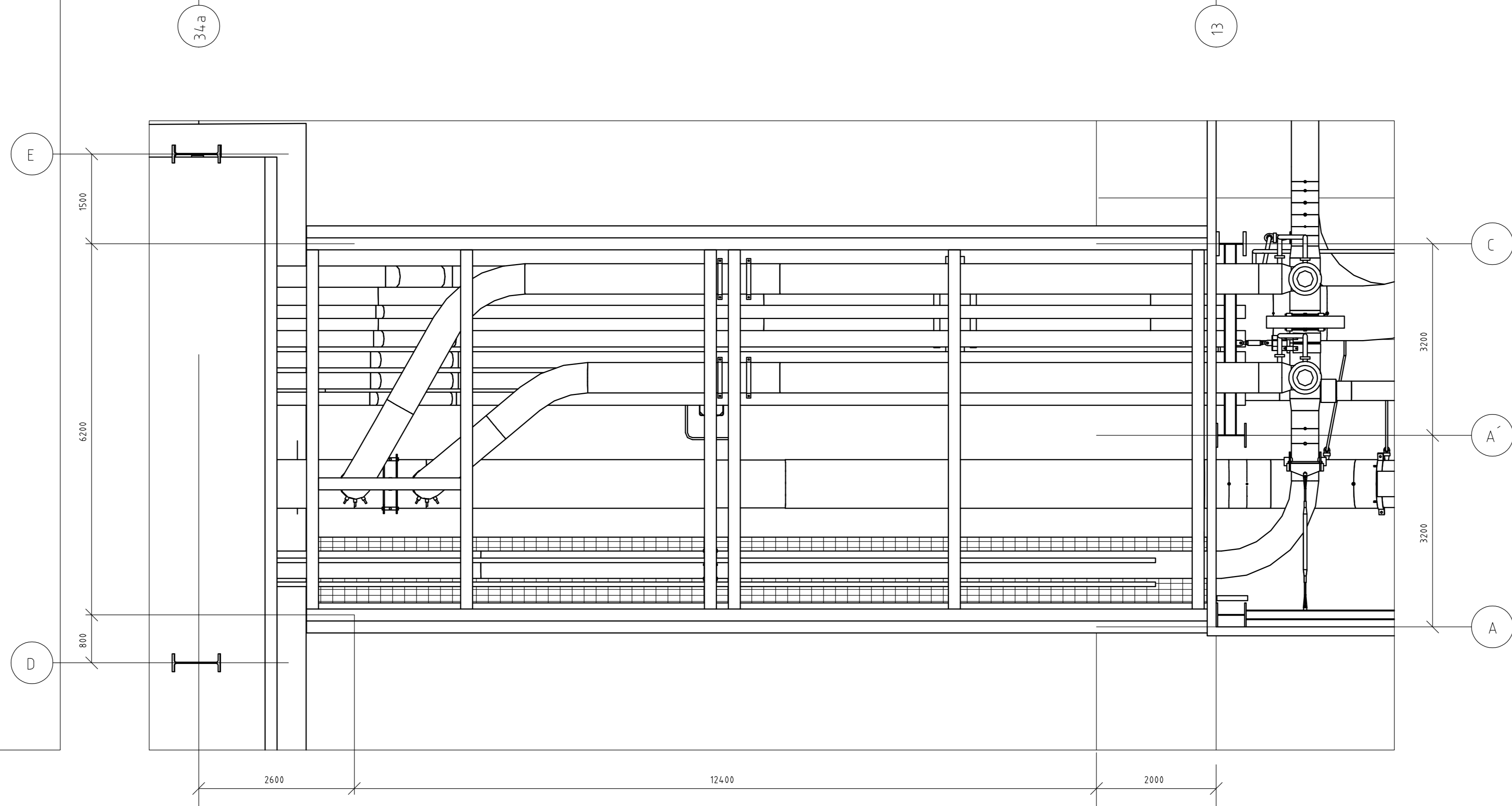
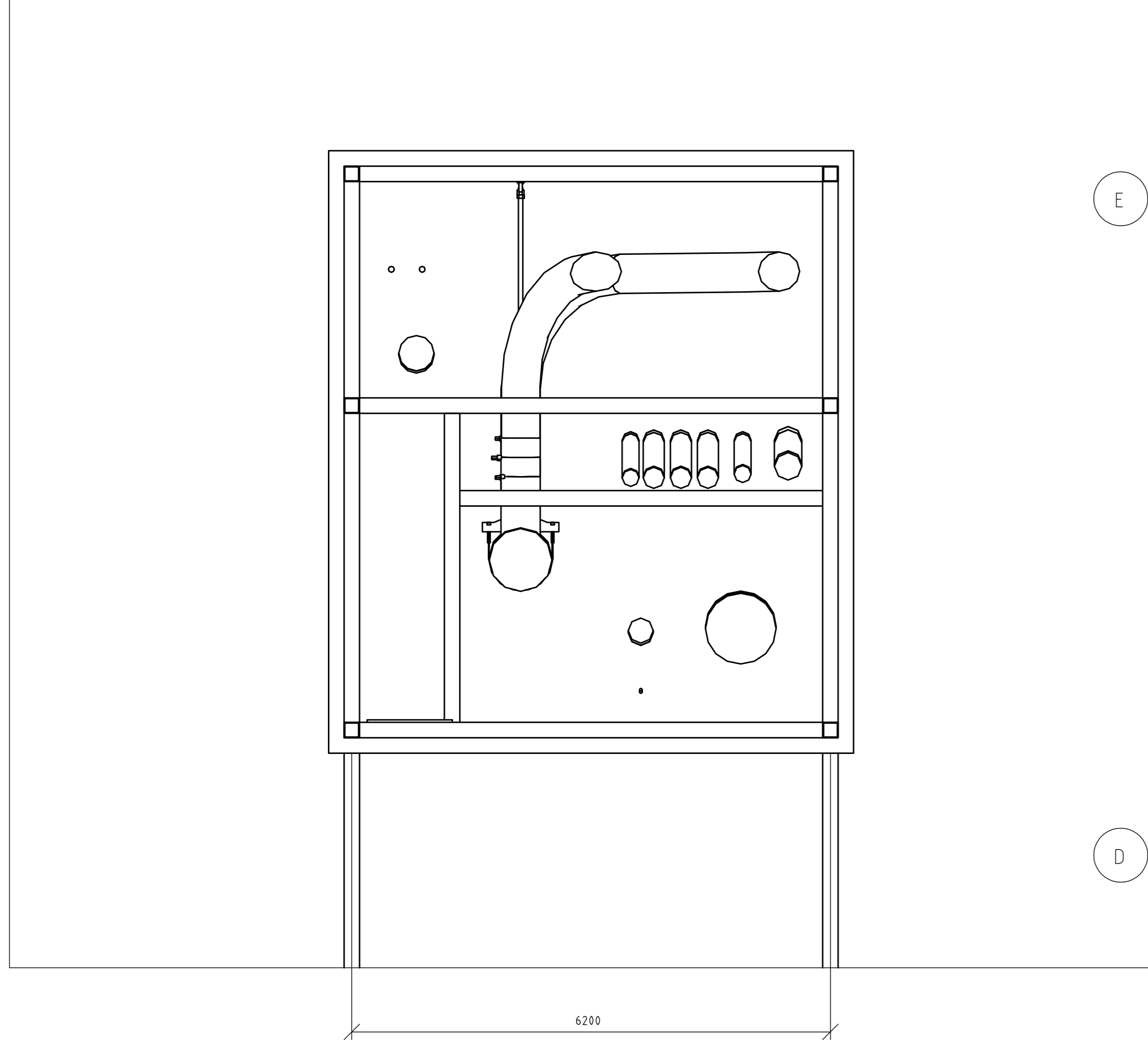
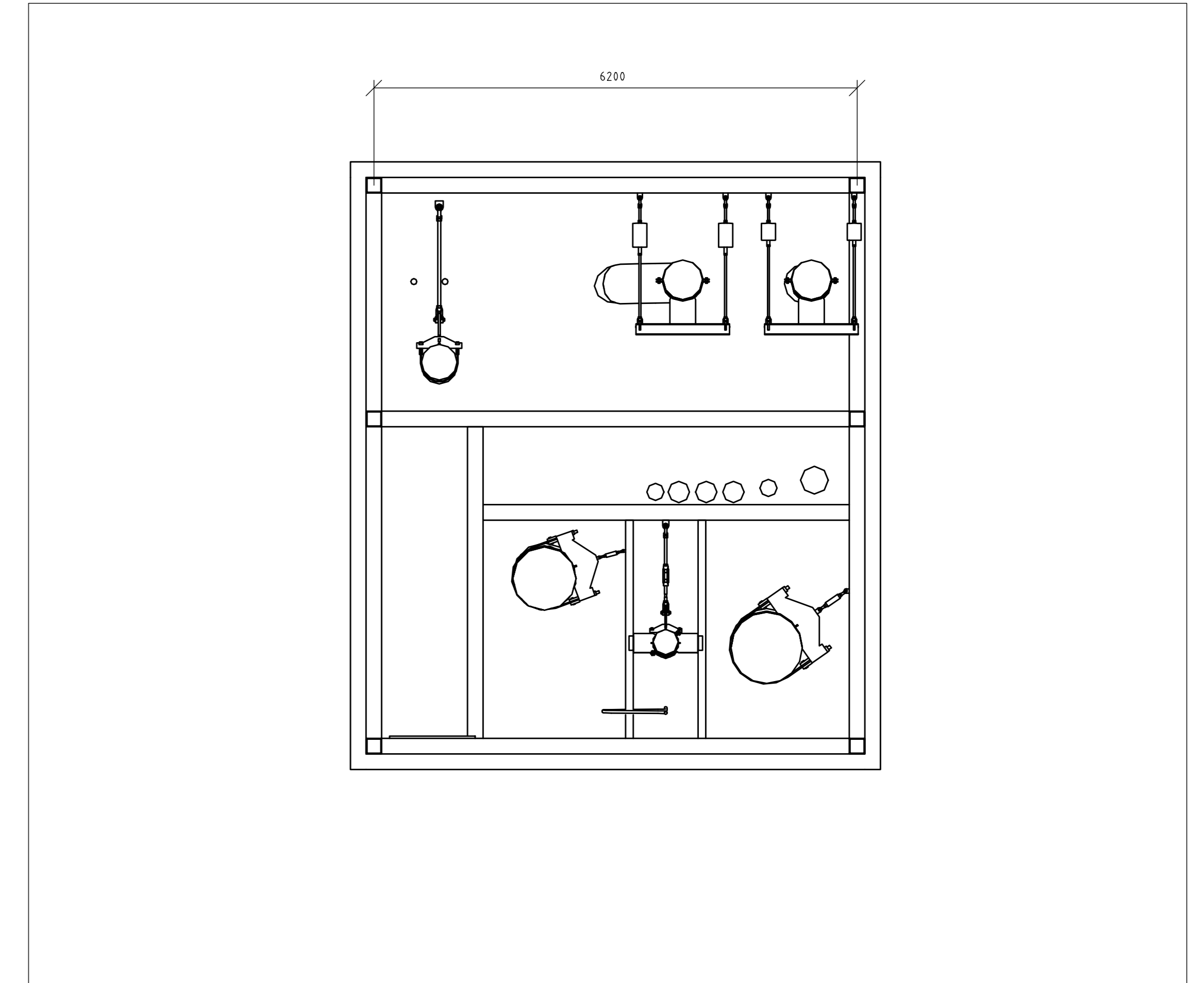
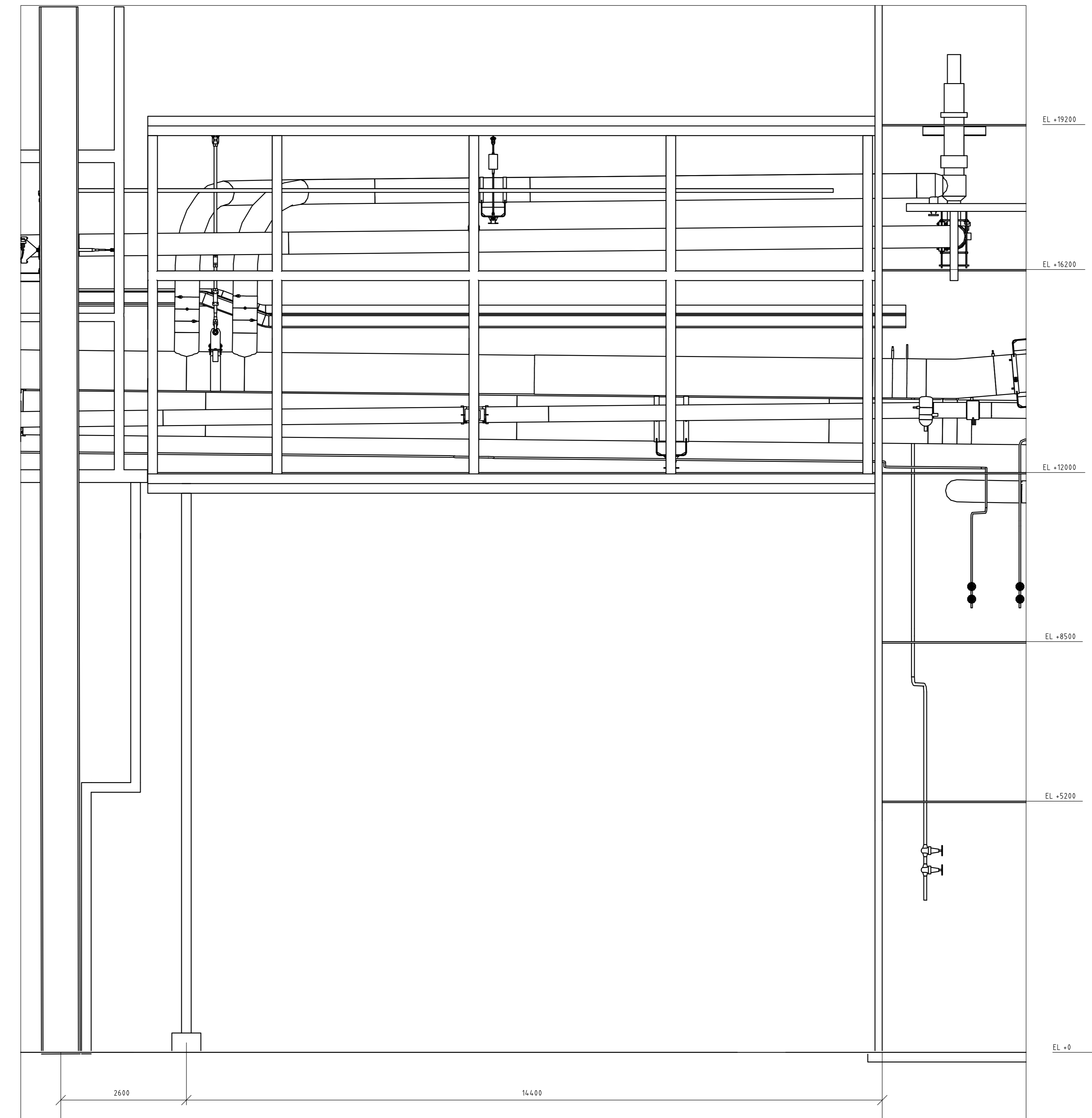
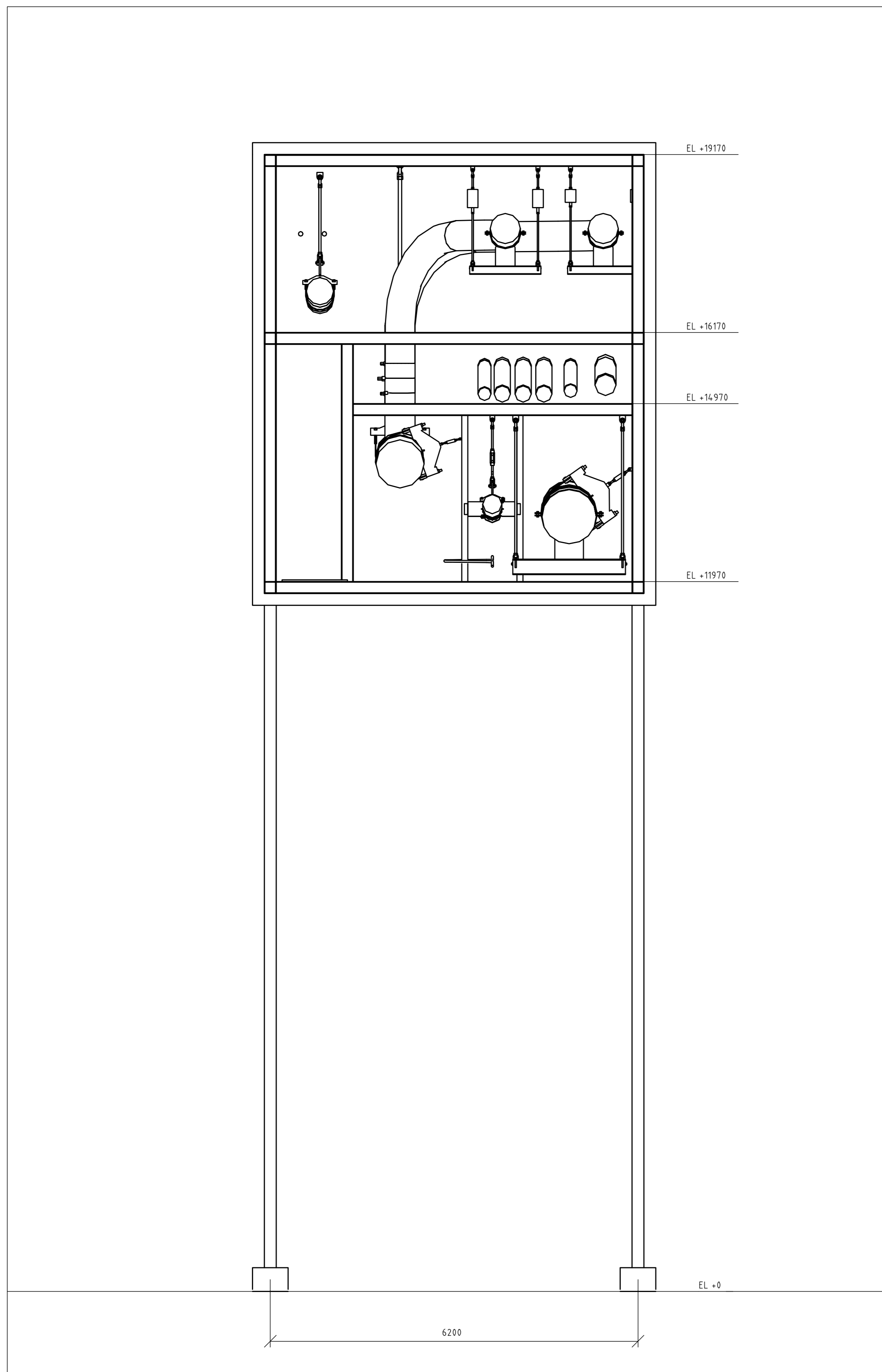


Date	Drawn By	Proj. No.	Revision	Drawn	Proj. No.	Rev. No.	Rev. Date



PRELIMINARY WERSJA WSTĘPNA

THIS DOCUMENT AND ANY INFORMATION HEREIN CONTAINED ARE THE PROPERTY OF FOSTER WHEELER CORPORATION. THE UNAUTHORIZED COPYING, REPRODUCTION, OR DISSEMINATION OF THIS DOCUMENT IS PROHIBITED. ANY BREACH AGAINST THE ABOVE PROHIBITION IS LIABLE TO EMPLOYMENT, WITH DAMAGES PAYABLE TO THOSE ASSIGNED AND OTHER REMEDIES AVAILABLE BY LAW OR EQUITY.

Client: GDF SUEZ Energia Polska S.A.
 Project: Polaniec Green Unit
 Main Assembly: Nizwa Projekt, CFB 158.3/135.1 kg/s, 127.5/19.5 bar, 535/535 °C
 Title: PIPE BRIDGE LAY-OUT DRAWING
 Part No.:

Rev. No.	Date	Rev. Description
01	02.03.2011	Initial Issue

Scale: 1:1

FOSTER WHEELER

Sub Contractor: Kapsner Art

953-FW*****-MTL0036